

UNIT 3  
PREMIER STR  
PREMIER PARK  
GERMISTON SOUTH EXT. 7

P. O. BOX 5  
BOKSBURG EAST  
1478

TEL: 825-6858  
TEL: 825-6735  
FAX: 825-6858



# BOVACO c.c.

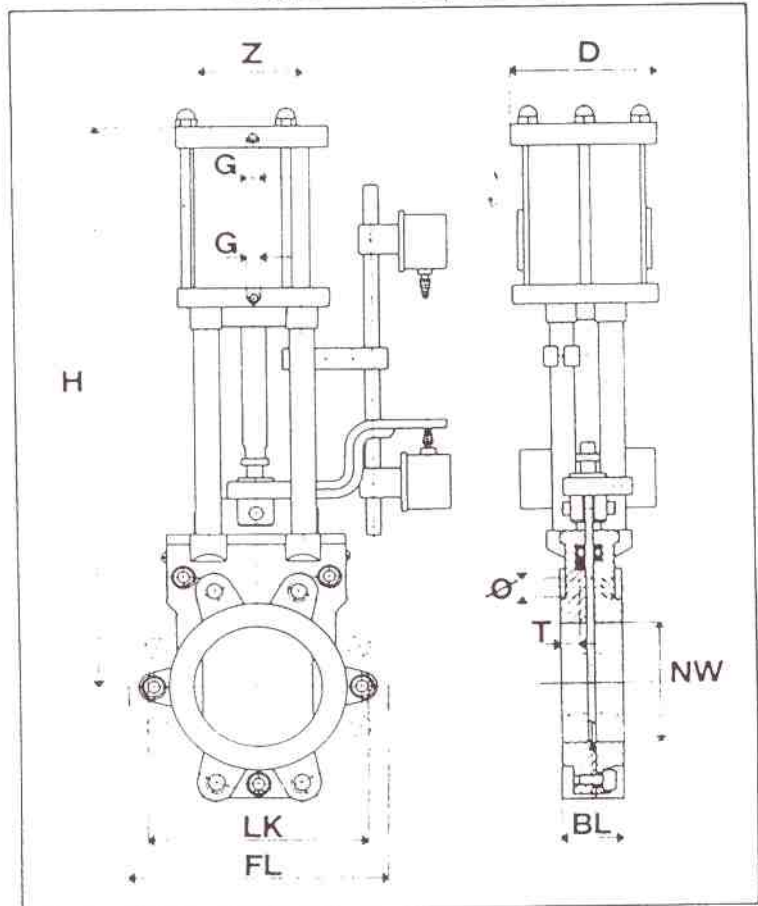
CK 90/26163/23

## VALVE MANUFACTURERS

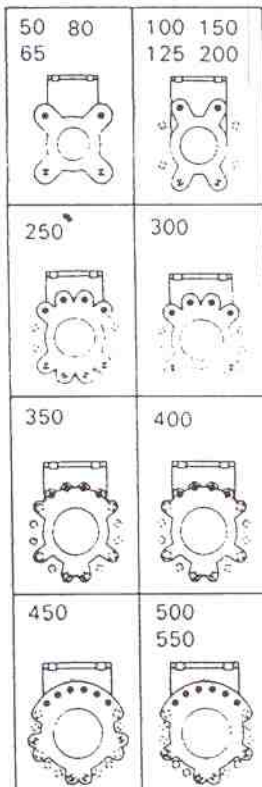
Valve operated by pneumatic or hydraulic cylinder.

### SPECIFICATION:

Body: Cast Iron, Bronze or Stainless Steel.  
Flange Rating: NP10  
Valve Plate: AISI 304 (V2A) or AISI 316 (V4A).  
Top Works: Brass cylinder; Chrome Steel Piston Rod; Piston, either bronze with sealing ring or T-duo type rubber covered.  
Seals: Normally GACO (Hi-Nitrile). Teflon or Viton can be fitted to suit special requirements.  
Operation: By air or hydraulic pressure. Piston is double-acting. Limit switches are extra. Supplied unfitted.  
Finish: Chlorinated rubber paint to BS C9097-Dark battleship grey.



Casting dimensions may vary.  
Certified Drawings available if required.



Position of through bolts

Blind tapped bolt holes

Bolt holes tapped thru

Bore NW	Flange Dia. FL NP10	NP10 LK	BL	H	D	Dia of Cyl	Air G BSP	Thread $\phi$	T	Total No. Bolts	Symbol			Wgt. Kg. Nett.	Max. Op. Press
50	165	125	40	337	120	80	1/2"	M16	11	4	-	2	2	11	10
65	185	145	40	379	120	80	1/2"	M16	11	4	-	2	2	13	10
80	200	160	45	419	120	80	1/2"	M16	11	4	-	2	2	14	10
100	220	180	50	537	140	100	3/4"	M16	11	8	4	2	2	18	10
125	250	210	50	542	140	100	3/4"	M16	11	8	4	2	2	20.5	6
150	285	240	60	649	195	150	1/2"	M20	11	8	4	2	2	40	6
200	340	295	60	787	195	150	1/2"	M20	12	8	4	2	2	49	6
250	395	350	60	949	245	190	3/4"	M20	15	12	4	4	4	73	4
300	445	400	70	1109	315	250	1/2"	M20	18	12	6	4	2	120	4
350	505	460	80	1345	315	250	1/2"	M20	20	16	10	4	2	150	4
400	565	515	90	1410	370	300	3/4"	M24	20	16	10	4	2	200	4
450	615	565	100	1550	370	300	3/4"	M24	24	20	10	6	4	283	4
500	670	620	110	1690	370	300	3/4"	M24	24	20	10	6	4	322	4
550	730	675	120	1855	370	300	3/4"	M27	25	20	10	6	4	580	4

see sheet 2.3.1. for valves 600 - 1000 NB.

Weights given for Cast Iron only