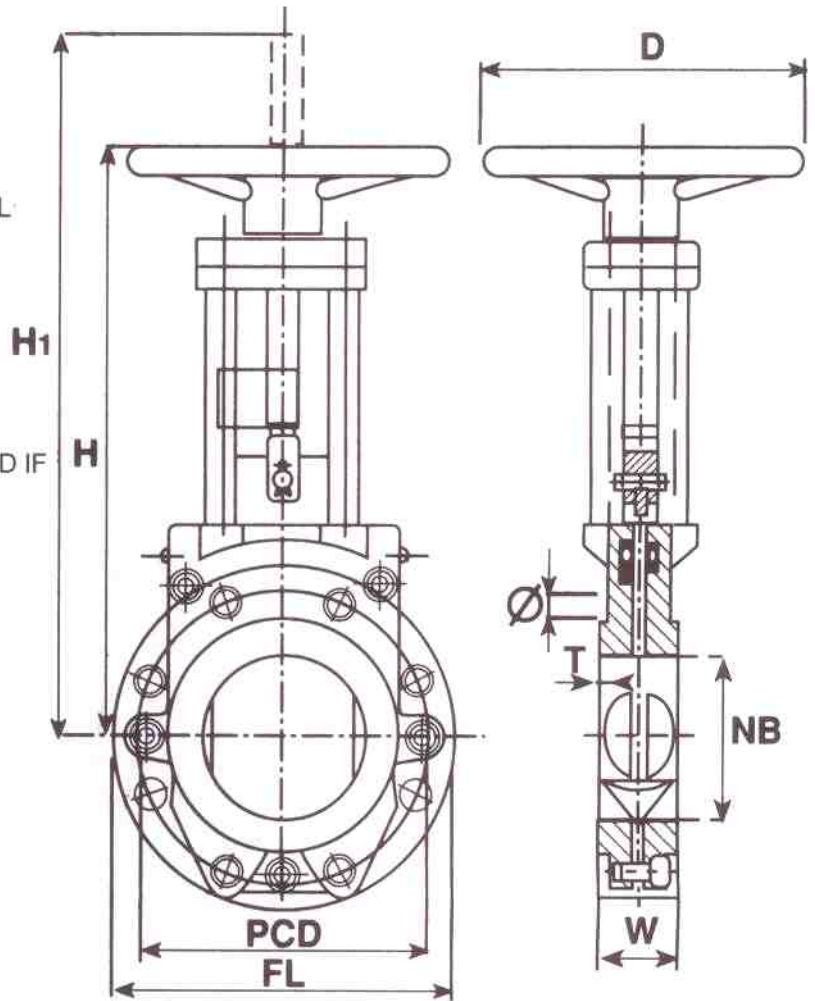


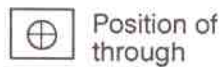
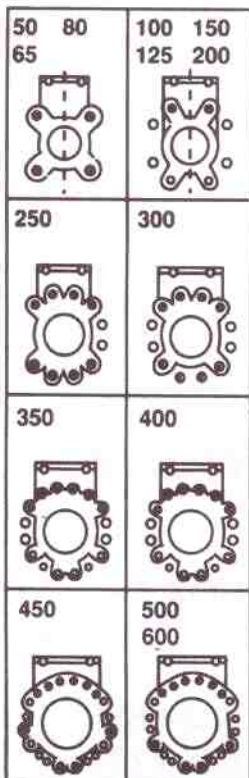
HANDWHEEL OPERATED TYPE SMD KNIFE GATE VALVE

SPECIFICATION:

- BODY:-** CAST IRON, S.G. IRON, STAINLESS STEEL & RUBBER LINED BODIES
- BLADE:-** 316 OR 304 STAINLESS STEEL
- SPINDLE:-** CHROME STEEL (303)
- TOP WORKS:-** BRIDGE PIECES, 4 MILD STEEL PILLARS AND DISHED HANDWHEEL (CHAINWHEEL CAN BE FITTED IF REQUIRED)
- SEALS:-** NITRILE RUBBER SEALS ARE NORMALLY FITTED TEFLON OR VITON CAN BE FITTED IF REQUIRED
- OPERATION:-** CLOCKWISE CLOSING
- FINISH:-** DARK BLUE PAINT



Casting dimensions vary.
Certified Drawings available if required.



Position of through



Blind Tapped bolt holes



Bolt Holes tapped thru

Bore NB	Flange Dia. FL NP 10	PCD	W	H	H1	D	Thread Ø	T	Total No. Bolts	Symbol			Wgt. Kg. Nett.	Max. Op. Press Bars
										⊕	●	⊗		
50	165	125	40	240	292	200	M16	11	4	-	2	2	7	10
65	185	145	40	270	341	200	M16	11	4	-	2	2	8	10
80	200	160	50	316	380	200	M16	11	4	-	2	2	10	10
100	220	180	50	356	436	200	M16	11	8	4	2	2	13	10
125	250	210	50	396	503	200	M16	11	8	4	2	2	15	10
150	285	240	60	464	596	300	M20	11	8	4	2	2	26	10
200	340	295	60	594	773	300	M20	12	8	4	2	2	35	8
250	395	350	70	657	875	300	M20	15	12	4	4	4	47	8
300	445	400	70	782	1054	400	M20	18	12	6	4	2	76	6
350	505	460	80	865	1183	400	M20	20	16	10	4	2	100	6
400	565	515	90	970	1333	400	M24	20	16	10	4	2	153	6
450	615	565	100	1070	1483	500	M24	24	20	10	6	4	205	6
500	670	620	110	1160	1617	500	M24	24	20	10	6	4	260	6
600	780	725	130	1900	1908	500	M24	24	20	10	6	4	500	4

Weights given for Cast Iron only