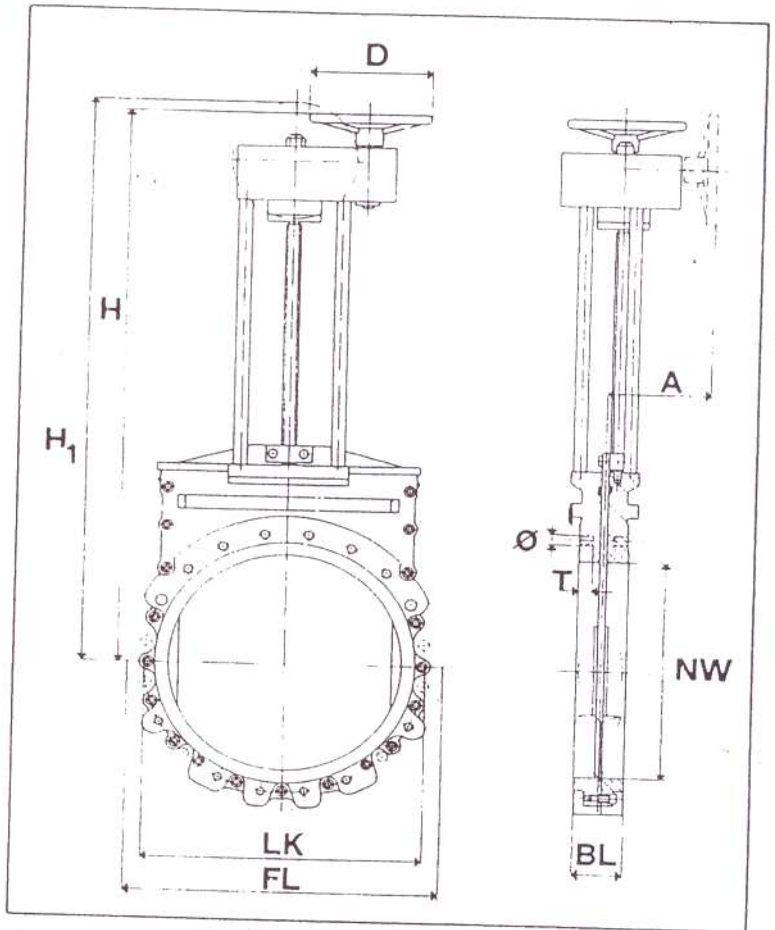


BOVACO KNIFE GATE VALVE TYPE SLA NB 600 TO 1000MM

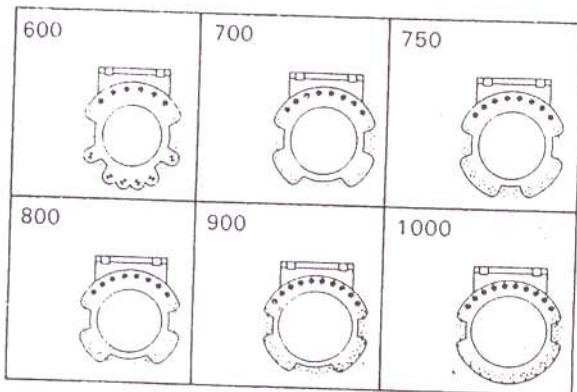
Hand operated with non-rising spindle.
Fitted with reduction or bevel gearing.

SPECIFICATION:

Body: Cast Iron, Bronze or Stainless Steel.
Flange Rating: NP10
Valve Plate: AISI 304 (V2A) or AISI 316 (V4A).
Spindle: Chrome Steel with bronze non-rising nut.
Top Works: 4 pillars and dished Hand-wheel. Fitted with top mounted reduction gear or side mounted bevel gear.
Seals: Normally GACO (Hi-Nitrile). Teflon or Viton can be fitted to suit special requirements.
Operation: Valve closes clockwise.
Finish: Chlorinated rubber paint to BS C9097—Dark battleship grey.



Dimensions H1 and A refer only when side mounted bevel gearing is fitted.
Casting dimensions may vary.
Certified Drawings available if required.



Position of through bolts



Blind tapped bolt holes



Bolt holes tapped thru

Bore NW	Flange Dia FL NP10	BST 'D' LK	BL	H	H1	A	D	ø Thread	T	Total No. Bolts	Symbol			Wgt. Kg. Nett.	Max. Op. Press. Bars
											⊕	●	⊗		
600	816	725	130	1500	1610	297	315	M27	27	20	8	6	6	490	3
700	895	840	150	1690	1800	297	315	M27	35	24	16	8	6	640	3
750	995	900	150	1795	1945	297	400	M30	35	24	16	8	-	815	3
800	1015	950	160	1893	2050	297	400	M30	35	24	16	8	-	1080	3
900	1168	1050	180	2128	2280	297	400	M30	37	28	18	10	-	1280	3
1000	1260	1160	200	2308	2460	297	400	M33	40	28	18	10	-	1680	3

FL to BST 'D'

FL to ASA

Weights given for Cast Iron only

GEAR BOX RATIO 4:1 = 500 TURN